

Press and hold down Reading button for 6 seconds. The "TUNSTALL TELECOM" message will appear and the vibration alert will activate for several seconds.

To Switch Pager OFF

Repeatedly press Selection button until pager display shows:

CONTRAST	ALERT
MEMORY	POWER OFF

Use left and right buttons to choose POWER OFF – text will begin to flash. Press Reading button to switch pager off

CAUTION – switching pager OFF will mean no pager messages are received.

Receiving a Pager Message

On receipt of a message, the pager will vibrate and the new message will be automatically displayed on the pager display. Once the message has been read, it can be deleted by pressing the Selection button twice to enter the following display

DELETE	ALL
YES	NO

Use left and right buttons to choose YES – text will begin to flash. Press Reading button to delete message

Battery Management

LOW CELL or 

If the low battery indicators appear on the pager display the pager battery must be replaced as soon as possible – the pager will stop working if the battery is too weak.

The battery can be replaced following the procedure below:

1. Switch pager off (see above)
2. Unlock battery cover, slide off the battery compartment cover and remove the old battery – dispose of the old battery in accordance with local regulations.
3. Put a new alkaline AAA battery into the compartment - ensure correct polarity.
4. Replace the battery compartment cover and lock the battery cover.
5. Switch on the pager (see above)

Service Information

Service of the User Alert Pager system is limited to replacing batteries in Pager Receivers as necessary (see User Instructions), and replacement of system components in the event of a fault.

All the reassurance you need



Tunstall User Alert Pager System

Installation and User Manual



Functionality

The Tunstall User Alert Pager System is an optional add-on for Tunstall Haven or Communicall systems. Its purpose is to provide additional information to hearing impaired residents of important events within their housing environment, thus ensuring the requirements of the Disability Discrimination Act are complied with.

The system comprises a Pager Transmitter (9000/60A), that interfaces to the Haven or Communicall Control Unit, and a number of Pager Receivers (9000/69A) which are issued to residents as appropriate.

The Tunstall User Alert Pager System is capable of sending the following text messages to the resident(s) pager: -

System fire alarm activation - text = FIRE ALARM
 Code 3 event (resident's Tunstall smoke detector) - text = SMOKE DETECTOR
 Code 6 event (resident's Telecare sensors - text = TELECARE SENSOR
 Speech module selected for speech - text = Speech Module Selected
 Door entry call - text = Door Entry Call
 Door open - text = Door Released

The actual messages sent on a given Haven or Communicall system will depend on the configuration of that system, e.g. door entry messages are dependent on a Haven or Communicall door entry system being present. The FIRE ALARM message is a group page and is sent to all pagers, the other messages are resident specific.

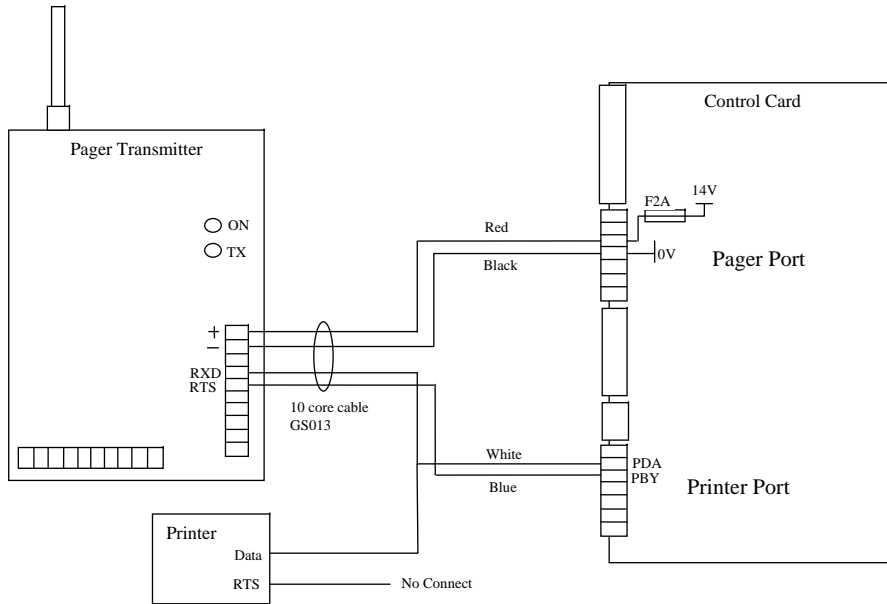
On reception of a message, the pager receiver vibrates to attract attention.

IMPORTANT –the Tunstall User Alert Pager should only be used as a secondary means of alerting residents to safety related events and not relied upon as the primary means of notification of such events.

Installation

The pager transmitter is driven by the data output from the 'Printer Port' of the Control Card of any type of Haven, Communicall, or Vision system. It is powered from the fused battery-backed 14V supply provided on the 'Pager Port'.

The Pager Transmitter should be sited indoors, at roof level, at least 2m away from other equipment. The following diagram illustrates the wiring interconnections between the Haven or Communicall Control Card and the Pager Transmitter.



IMPORTANT – if a system printer is also fitted then the printer RTS signal (normally connected to PBY) **MUST** be disconnected.

Configuration

No configuration of the Pager Transmitter is required.

If paging on an external fire panel activation is required then this should be implemented either via a speech module (must be coded to 999), with the fire panel input connected to the smoke input, or via the fire panel input on the control card. In the latter case, the system must be configured to generate a 795 call.

Ensure the Scheme Manager and Control Centre Manager are aware of speech module i.d. changes.

Parameter	Value	Notes
Page 0 - 12	1	Enable printer
Page 0 - 25	32	Ensure termination characters set correctly
Page 0 - 26	32	
Page 0 - 36	243	Ensure printer baud rate set to 2400
Page 0 - 37	128	
Page 0 - 40	255	Printer busy line set to 0 = busy
Page 0 - 87	255	Ensure DES activity printed (if applicable)
Page 1 - 259 (Communicall only)	7	Ensure fire panel input coded to 795
Page 1 - 259 (Communicall only)	9	
Page 1 - 259 (Communicall only)	5	

Each Pager Receiver used on the system **MUST** be coded to the speech module i.d. number of the resident concerned. This procedure is carried out using a programming kit (Tunstall part number 9000/70A) and is detailed in Technical Bulletin TB297.

Licensing of Equipment

A licence must be obtained for the pager system from OFCOM – Details can be obtained from <http://www.ofcom.org.uk/>

Testing

On application of power, the red LED on the Pager Transmitter will illuminate. The green LED will illuminate for approximately 2s whilst the Pager Transmitter is transmitting.

In order to test the system, generate all events of interest on the Haven or Communicall system and check that all the pagers assigned to the system respond appropriately.

User Instructions

Each Pager Receiver is supplied with a comprehensive instruction booklet. Basic user instructions are provided here, to be carried out with reference to the diagram below.

